

HIS-HDSPTZ20X

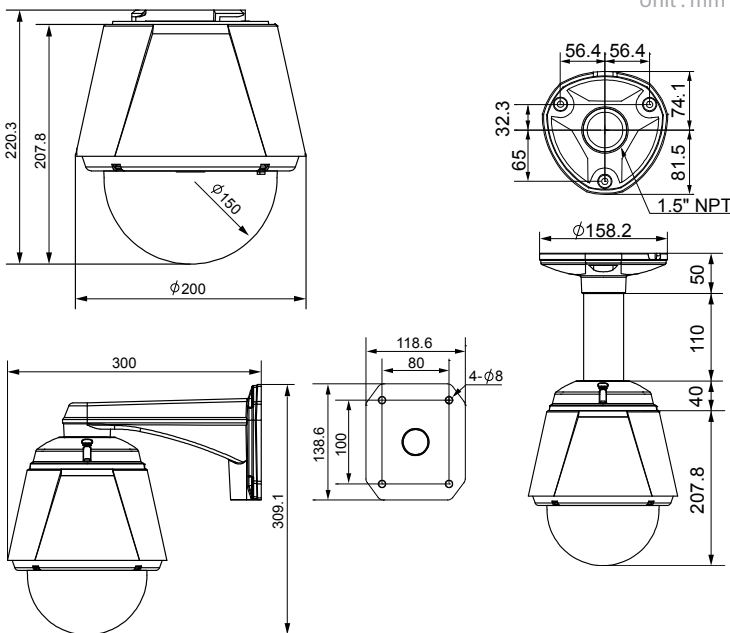


KEY FEATURES

- 1/3" 2Mega Pixel CMOS ,FULL HD (High Definition)
- WDR (Wide Dynamic Range) / NR (Noise Reduction)
- 20x optical zoom(digital zoom 12x).
- Minimum Illuminance (0.5 Lux @ Color / 0.005 Lux @ B/W)
- Super Speed (500°/SEC.) with 360° Endless Pan Rotation
- Image Stabilization Function
- Simultaneous HD-SDI & Composite Output
- True Day & Night with ICR (IR Cut Filter)
- 255 Presets / 10 Swings / 4 Patterns / 8 Groups
- Digital Auto Flip
- 3 Alarm Inputs(Normal Open or Normal Close), 1 relay out puts
- 8 Privacy Masks with Spherical Coordinates
- Vandalproof / Weatherproof with Built-in Fan & Heater
- Waterproof (IP 67)

DIMENSIONS

Unit : mm



SPECIFICATIONS

MECHANICAL / ENVIRONMENTAL	
Pan	360° Continuous Pan 0.1° to 90°/sec (64 steps proportional to zoom)
Pan Preset Speed	500°/sec, ± 0.1° Accuracy
Tilt	0.1° to 90°/sec. (64 steps proportional to zoom)
Tilt Preset Speed	150°/sec, ± 0.01° Accuracy
Weight	Approx. 3.6Kg (7.9 lbs)
Dimensions	200(Ø) x 408(H) mm – 150(Ø) dome
Construction	Polycarbonate & Aluminum
Ingress Protection	IP67 (Outdoor Housing)
Color	Silver
Operating Temp	-30°C to 50°C (Fan&Heater power ON)
Storage Temp	-10°C to 50°C (14° F to 122° F)
Humidity	0% to 90% (non-condensing)
VIDEO	
Video Out	HD-SDI - 1 channel (1920x1080 60I, 1920x1080 30P) CVBS -1 channel
FUNCTIONS	
Preset	255 points less than 0.1° accuracy
Scheduler Function	8 Scheduler Functions with RTC(Real Time Clock)
Pattern	4 patterns
Flip	Auto
Swing	10
Privacy Zone	8
ID Address	Up to 255 selectable ID (Rotary switch)
Data Communication	RS-485 / RS-422
Protocol	Multiple protocol (PELCO-D/P)
Baud rate	2400, 4800, 9600, 19200, 38400, 57600 bps selectable
Alarm In	3
Alarm Out	1
Display	16 Area title
ELECTRICAL / USER CONNECTIONS	
Power	24VAC 60Hz / 50Hz, 3.5A
Camera	18.0W
Heater	Operation Starts from Internal Temperature 10°C
RS-422, 485	Dip Switch setting
RS-485, 422	RS-422, 485 + / - Optional Control Data
Alarm Inputs	3 Photo-Coupler Type, DC 5V - 12V
Relay Out	1 Output, Relay Output, MAX. Load DC 24V/1.0A or AC 125V/0.5A
CAMERA	
Imager	1/3" 2M Pixel CMOS Sensor
Picture elements	1920 x 1080 pixels
Lens	20x zoom F= 3.5 mm (WIDE) to 129.5 mm (TELE), F1.6 to F3.9
Digital zoom	12x
Angle of view (H)	Approx. 55.4 degrees (WIDE end), approx. 2.9 degrees (TELE end) (1080i mode)
Min. working distance	10 mm (WIDE end), 1000 mm(TELE end)
Sync system	Internal
Min. illumination	0.5 lux/1/30 sec., 50% (Interlace mode) (High Sensitivity mode ON) ICR-ON Mode 0.0005 lux/1/4 sec (NTSC), 1/3 sec (PAL)
S/N ratio	50 dB (Weight ON)
Back light compensation	ON/OFF
Electronic shutter speed	AUTO / MANUAL 1/1 to 1/10000 sec.
White balance	AUTO, MANUAL
Gain	Auto/Manual (-3 dB to +28 dB, 16 steps)
Wide dynamic range	ON/OFF/AUTO
Noise reduction	ON/OFF (level 5 to 1 / OFF, 6 steps)
Aperture control	Adjustable