

HIS-D2524VD

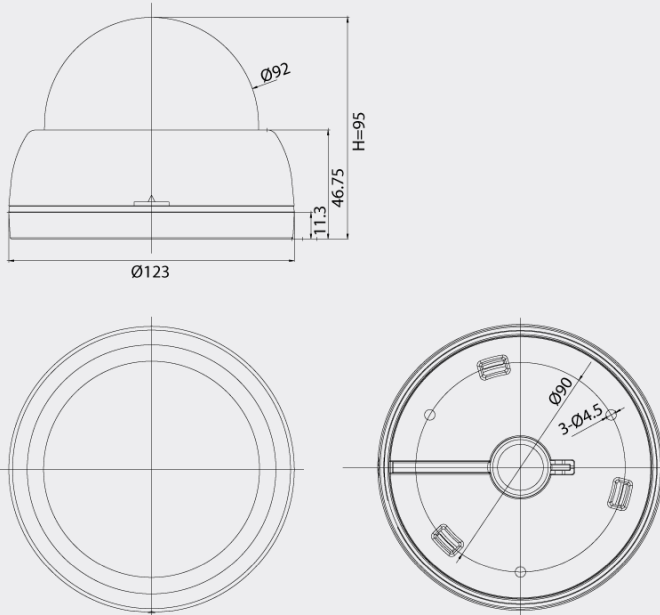
MONALISA Dome Camera



Features

- 1/3" High Sensitivity CCD
- Ultra High Resolution : 600 TV Lines
- Built in DC Iris Vari-focal Lens (f=2.8~10.5mm)
- Min. Illumination : 0.05 Lux
- OSD, DNR
- Auto White Balance
- AGC, SBLC, Flickerless
- Motion Detection, Privacy Zone, Mirror Function
- Extra Video Out Port for Installer
- 3 Axis Movement for Free Lens Rotation
- Dome Size : 92mm
- Option : RS-485(Pelco-D, CNB) Interface
- High glossy Design

DIMENSIONS



SPECIFICATIONS

Model	HIS-D2524VD
Signal System	NTSC
Scanning System	2:1 Interlace
Scanning Frequency (H)	15.734 KHz
Scanning Frequency (V)	59.94 Hz
Image Sensor	1/3" High Sensitivity CCD
Total Pixels	811(H) x 508(V) 410K
Total / Effective Pixels	768(H) x 494(V) 380K
Horizontal Resolution	600 TV Lines (BW 650TV Lines)
Video Output	1.0V p-p (75Ω Composite)
S/N Ratio	More than 50dB(AGC Off)
Lens	DC Iris Vari-focal Lens (f=2.8~10.5mm)
Min.Illumination	0.05 Lux
OSD	English, Chinese
Digital Noise Reduction	Low, Middle, High, Off
White Balance	Auto
AGC	On/Off
SBLC	Off, Low, Middle, High
Flickerless	On/Off
Privacy Zone	On/Off (4 Programmable Zone)
Motion Detection	On/Off (4 Programmable Zone)
Mirror Function	Horizontal
Shutter Speed	1/60~1/120,000 Sec.
Manual Shutter Speed	1/60, 1/250, 1/700, 1/1K, 1/1.6K, 1/2.5K, 1/5K, 1/7K, 1/10K, 1/30K, 1/60K, 1/120K
Supplied Voltage	24VAC / 12VDC Dual Voltage
Power Consumption	Max. 2.2W/180mA
Dimensions (ØxH)	123 x 95 mm
Weight	Approx. 366g