

# HIS-SDN-22Z27F



- Without Sun-Shield

## Features

- 1/4 Inch IT CCD, 580TVL
- Built-in Auto Focus/Auto Iris
- Max. 270x Zoom (27x Optical/10x Digital)
- Electronic Sensitivity-up(DSS), TDN(ICR), OSD
- Pan rotation range endless 360°
- Tilt rotation range 0° to 90°
- Pan/Tilt maximum rotating speed is 360°/sec
- Auto parking functions
- Auto-Flip function
- Privacy masking function
- RS-485 protocol compatible
- Mount Sold Separately
- IP66



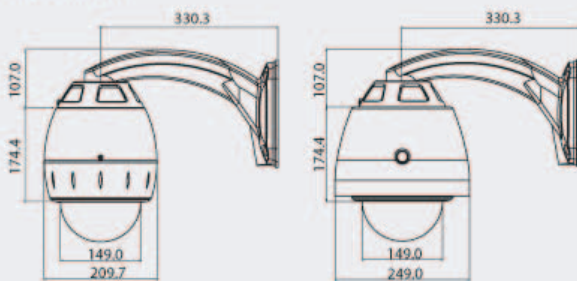
- Pendant Mount



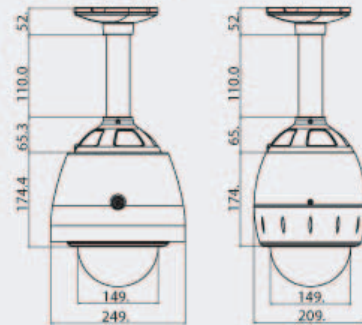
- Pendant mount & Sun-Shield

## Dimensions

Wall Mount



Pendant Mount



Unit (mm)

## Optional Accessories



SCB2000 : Corner mount bracket



SOB2000 : Pole mount bracket

# HIS-SDN-22Z27F

| Model                           | HIS-SDN-22Z27F   |
|---------------------------------|--|
| Signal System                   | NTSC   |
| Scanning System                 | 2:1 Interlace  |
| Scanning Freq. (H)              | 15.734 kHz   |
| Scanning Freq. (V)              | 59.94Hz  |
| Sync. System                    | Internal / Line-Lock   |
| Image Sensor                    | 1/4" IT CCD  |
| Effective Pixel No. (V)         | 768(H) x 494(V) 380K   |
| H.Resolution                    | 580 TV Lines   |
| Min.Illumination                | 0.5Lux (Color), 0.1Lux(B/W), 0.0005Lux(B/W, DSS On) 30 IRE         |
| Day & Night Type                | Electronic sensitivity-up (DSS), TDN(ICR)                          |
| Video Output                    | 1.0Vp-p (75Ω, composite)   |
| Video S/N Ratio                 | More than 50dB (AGC Off)   |
| Communication                   | RS-485, Controllable up to 255 cameras simultaneously              |
| Camera ID / Protocol            | 256 IDs/Pelco-D, Pelco-P selectable, Samsung, Panasonic selectable |
| <b>Lens</b>                     |  |
| Zoom Ratio                      | 270 x Zoom (27x Optical Zoom, 10x Digital Zoom)                    |
| Focal Length                    | 3.6 (W)mm ~ 97.2 (T)mm   |
| Apture Range                    | F1.6 (W) ~ F3.7 (T)  |
| <b>Pan and Tilt</b>             |  |
| Panning/Tilting Range           | Pan: 360° endless rotation; Tilt: 90°                              |
| Panning/Tilting Speed           | Manual: 1° ~ 360°/sec; Preset: 360°/sec; Swing: 1° ~ 180°/sec      |
| Panning/Tilting Accuracy        | ±0.25°   |
| Preset                          | 127 position with Labels   |
| Swing / Pattern / Group         | 8 Swings/4 Patterns(about 5min/Pattern)/8 groups(max. 20)          |
| <b>Main Functions</b>           |  |
| OSD Menu                        | ON/OFF (English)   |
| Focus Control                   | Auto/Manual/Semi-Auto  |
| Color / BW Switching            | Supplied   |
| Day/Night                       | Auto/Day/Night(ICR)  |
| WDR                             | ON/OFF   |
| Electronic Shutter              | 1/60~1/10,000sec   |
| Iris / Gain Control             | Auto/Manua(F1.6~F3.7); Auto/Manual(-3dB~28dB)                      |
| Brightness Control              | Adjustable (0~96)  |
| White Balance                   | Auto/Manual(Red, Blue Gain Adjustable)                             |
| BLC / Flickerless               | ON/OFF   |
| Negative / Freeze Mode          | ON/OFF   |
| Reverse / Mirror                | ON/OFF (180° rotation); ON/OFF                                     |
| Power-up Action                 | Resume the last action eecuted (Preset, Swing, Group)              |
| Auto Parking / Flip             | ON/OFF; ON/OFF(rotates dome 180° at bottom of tilt travel)         |
| Privacy Zone                    | ON/OFF(8 zone settings)  |
| Alam I/O                        | 4 port coupler inputs, 2 relay outputs                             |
| Image Setup                     | Global / Local (setting WB & AE)                                   |
| <b>Electrical &amp; General</b> |  |
| Power                           | 24VAC / 2A, 48VA   |
| Dimensions (approx.)            | Dome: 149(Φ); Housing: 249(Φ) x 355.4(H) mm                        |
| IP Ratio                        | IP66   |
| Operating Temperature           | -30 °C to 50 °C  |
| Housing                         | SWB2000 : Wall mount housing / SPB2000 : Pendant mount housing     |