

HIS-LDM24VF

Intelligent IR Vandal-Resistant Dome



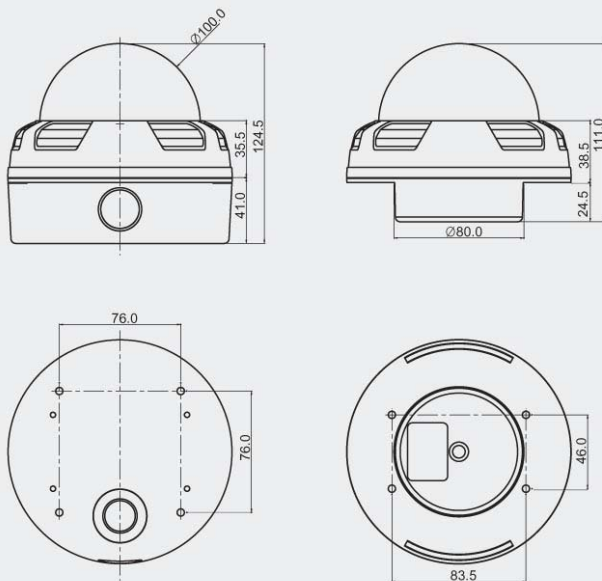
Features

- 1/3" High Sensitivity CCD
- Ultra High Resolution : 600 TV Lines
- Built in DC Iris Vari-focal Lens (f=3.8~9.5mm)
- **Intelligent IR Technology**
- Built-in IR LEDs(20ea)
- Min. Illumination : 0.00 Lux (IR LED On)
- TDN(ICR), OSD, Auto White Balance
- AGC, SBLC, Flickerless
- Motion Detection, Privacy Zone, Mirror Function
- Extra Video Out Port for Installer
- 3 Axis Movement for Free Lens Rotation
- Dual (Surface/Flush) Mount Type
- Vandal-Resistant Dome Housing

INSIDE VIEW



DIMENSIONS



SPECIFICATIONS

| Model | HIS-LDM24VF |
|----------------------------|--|
| Signal System | NTSC |
| Scanning System | 2:1 Interlace |
| Scanning Frequency (H)/(V) | 15.734 KHz / 59.94 Hz |
| Image Sensor | 1/3 Inch High Sensitivity CCD |
| Total / Effective Pixels | 768(H) x 494(V) 380K |
| Horizontal Resolution | 600 TV Lines (BW 650TV Lines) |
| Video Output | 1.0V p-p (75Ω Composite) |
| S/N Ratio | More than 50dB(AGC Off) |
| Lens | DC Iris Vari-focal Lens (f=3.8~9.5mm) |
| Day & Night | ICR(AGC Type) |
| Min.Illumination | 0.05 Lux (Color), 0.005 Lux (B/W), 0.00 Lux (IR LED On) |
| IR LED and Sensor | Intelligent IR Technology , IR LEDs (850nm, 30°) 20EA |
| IR LED Visible Range | Max. 15m |
| OSD | English, Chinese |
| Digital Noise Reduction | Low, Middle, High, Off |
| White Balance | Auto |
| AGC | On/Off |
| SBLC | Off, Low, Middle, High |
| Flickerless | On/Off |
| Privacy Zone | On/Off (4 Programmable Zone) |
| Motion Detection | On/Off (4 Programmable Zone) |
| Mirror Function | Horizontal |
| Shutter Speed | 1/60~1/120,000 Sec. |
| Supplied Voltage | 24VAC/12VDC Dual Voltage |
| Power Consumption | Max. 4W/360mA |
| Dimensions (ØxH) | Surface : 100.0 x 124.5 mm Flush : 100.0 x 111.0 mm |
| Weight | Approx. 1210g |