

HIS-LDM-20S

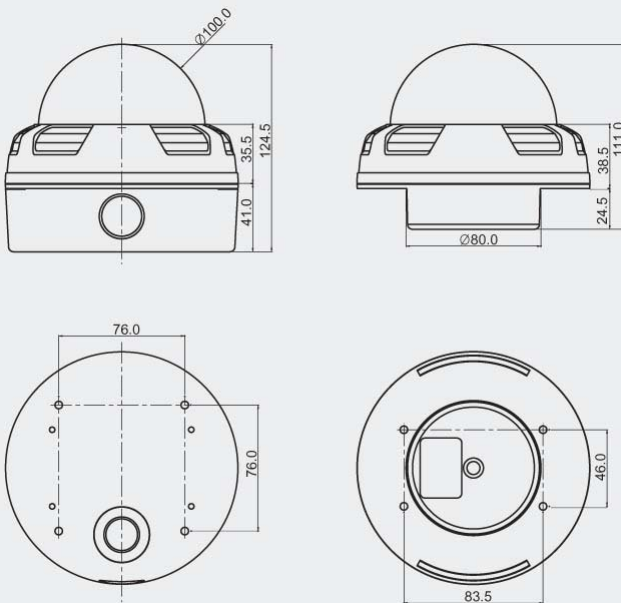
Intelligent IR Vandal-Resistant Dome



Features

- 1/3" High Sensitivity CCD
- Ultra High Resolution : 600 TV Lines
- Built in Fixed Lens (f=3.8mm)
- **Intelligent IR Technology**
- Built-in IR LEDs(25ea)
- Min. Illumination : 0.00 Lux (IR LED On)
- TDN(ICR), OSD, Auto White Balance
- AGC, SBLC, Flickerless
- Motion Detection, Privacy Zone, Mirror Function
- Extra Video Out Port for Installer
- 3 Axis Movement for Free Lens Rotation
- Dual (Surface/Flush) Mount Type
- Option : RS-485(Pelco-D, CNB) Interface
- Vandal-Resistant Dome Housing

DIMENSIONS



SPECIFICATIONS

Model	HIS-LDM-20S
Signal System	NTSC
Scanning System	2:1 Interlace
Scanning Frequency (H)/(V)	15.734 KHz / 59.94 Hz
Image Sensor	1/3 Inch High Sensitivity CCD
Total / Effective Pixels	768(H) x 494(V) 380K
Horizontal Resolution	600 TV Lines (BW 650TV Lines)
Video Output	1.0V p-p (75Ω Composite)
S/N Ratio	More than 50dB(AGC Off)
Lens	Fixed Lens (f=3.8mm)
Min.Illumination	0.1 Lux (Color), 0.01 Lux (B/W), 0.00 Lux (IR LED On)
IR LED and Sensor	Intelligent IR Technology , IR LEDs (850nm, 30°) 25EA
IR LED Visible Range	Max. 15m
OSD	English, Chinese
Digital Noise Reduction	Low, Middle, High, Off
White Balance	Auto
AGC	On/Off
SBLC	Off, Low, Middle, High
Flickerless	On/Off
Privacy Zone	On/Off (4 Programmable Zone)
Motion Detection	On/Off (4 Programmable Zone)
Mirror Function	Horizontal
Shutter Speed	1/60~1/120,000 Sec.
Supplied Voltage	12VDC
Power Consumption	Max. 4W/360mA
Dimensions (ØxH)	Surface : 100.0 x 124.5 mm Flush : 100.0 x 111.0 mm
Weight	Approx. 1210g