

HIS-LBM24VF

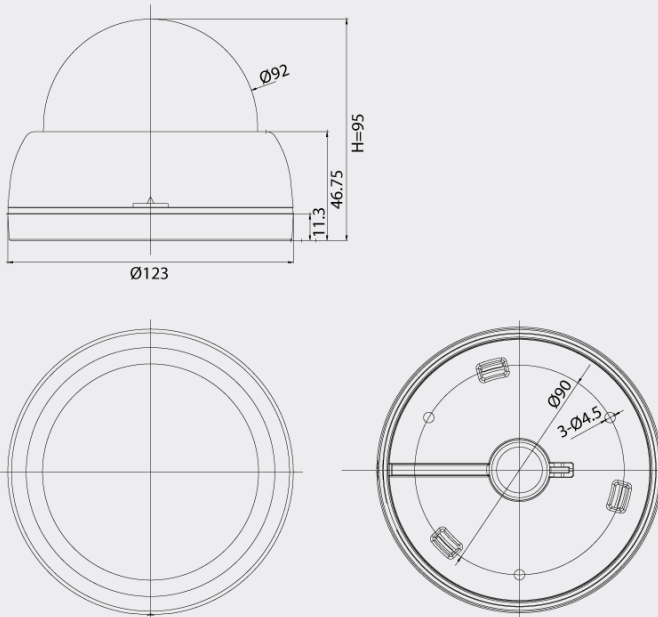
MONALISA IR Dome Camera



Features

- 1/3" High Sensitivity CCD
- Ultra High Resolution : 600 TV Lines
- Built in DC Iris Vari-focal Lens (f=3.8~9.5mm)
- **Intelligent IR Technology**
- Built-in IR LEDs(20ea)
- Min. Illumination : 0.00 Lux (IR LED On)
- TDN(ICR), OSD, Auto White Balance
- AGC, SBLC, Flickerless
- Motion Detection, Privacy Zone, Mirror Function
- Extra Video Out Port for Installer
- 3 Axis Movement for Free Lens Rotation
- 24VAC/12VDC Dual Voltage
- Option : RS-485(Pelco-D, CNB) Interface
- High glossy Design

DIMENSIONS



SPECIFICATIONS

Model	HIS-LBM24VF
Signal System	NTSC
Scanning System	2:1 Interlace
Scanning Frequency (H)/(V)	15.734 KHz / 59.94 Hz
Image Sensor	1/3 Inch High Sensitivity CCD
Total / Effective Pixels	768(H) x 494(V) 380K
Horizontal Resolution	600 TV Lines (BW 650TV Lines)
Video Output	1.0V p-p (75Ω Composite)
S/N Ratio	More than 50dB(AGC Off)
Lens	DC Iris Vari-focal Lens (f=3.8~9.5mm)
Day & Night	ICR(AGC Type)
Min.Illumination	0.1 Lux (Color), 0.03 Lux (B/W), 0.00 Lux (IR LED On)
IR LED and Sensor	Intelligent IR Technology, IR LEDs (850nm, 30°) 20EA
IR LED Visible Range	Max. 15m
OSD	English, Chinese
Digital Noise Reduction	Low, Middle, High, Off
White Balance	Auto
AGC	On/Off
SBLC	Off, Low, Middle, High
Flickerless	On/Off
Privacy Zone	On/Off (4 Programmable Zone)
Motion Detection	On/Off (4 Programmable Zone)
Mirror Function	Horizontal
Shutter Speed	1/60~1/120,000 Sec.
Manual Shutter Speed	1/60, 1/250, 1/700, 1/1K, 1/1.6K, 1/2.5K, 1/5K, 1/7K, 1/10K, 1/30K, 1/60K, 1/120K
Supplied Voltage	24VAC/12VDC Dual Voltage
Power Consumption	Max. 5W/370mA
Dimensions (ØxH)	123 x 95 mm
Weight	Approx. 366g