

HIS-DFL-20S

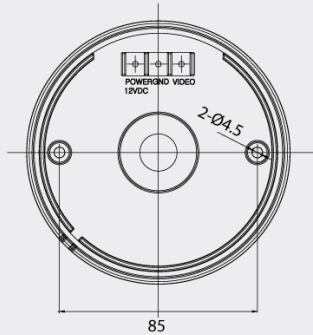
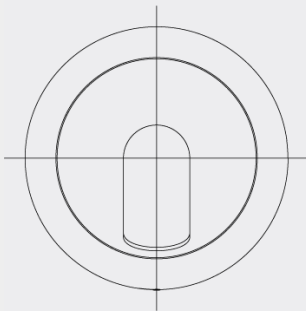
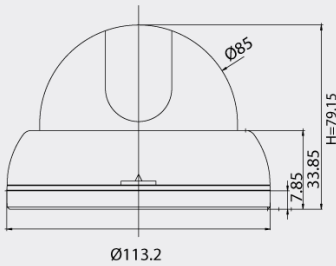
85mm INDOOR DOME CAMERA



Features

- 1/3 inch Interline Transfer CCD
- High Resolution :600TV Lines
- Built-in Fixed Lens
- Min. Illumination : 0.1 Lux
- Auto White Balance
- 3-Axis Movement for Free Lens Rotation
- Dome Size : 85mm
- High glossy Design

DIMENSIONS



SPECIFICATIONS

Model	HIS-DFL-20S
Signal System	NTSC
Scanning System	2:1 Interlace
Scanning Frequency (H)	15.734 kHz
Scanning Frequency (V)	59.94 kHz
Image Sensor	1/3 Inch Interline Transfer CCD
Total Pixels No.	811(H) x 508(V) 410K
Effective Pixels	768(H) x 494(V) 380K
Horizontal Resolution	600 TV Lines
Video Output	Composite: 1.0V p-p, 75Ω
S/N Ratio	More than 50dB(AGC Off)
Lens	Fixed Lens (f=3.8mm)
Min. Illumination	0.1 Lux
White Balance	Auto
AGC, BLC	Auto
Shutter Speed	1/60~1/120,000 sec.
Supplied Voltage	DC 9V~15V (Recommendation DC±0.5V)
Power Consumption	Max.150mA
Dimensions(ØxH)	113.2 x 79.15 mm
Operating Temperature	-10°C~45°C / Humidity 30%~80% RH
Weight	Approx. 210g