

HIS-BBB24F

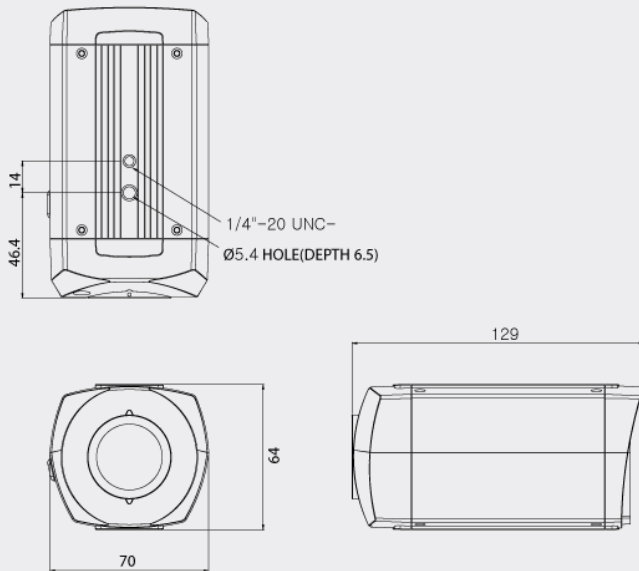
WDR CAMERA



Features

- 1/3" High Sensitivity CCD
- High Resolution : 580 TV Lines
- XWDR (Max. 60dB), 3D-DNR
- TDN(ICR), 6.13x Digital Zoom (On/Off)
- Min. Illumination : 0.0002Lux (DSS On, B/W)
- OSD, AWB, AGC, BLC
- Privacy Zone, Motion Detection, Eclipse
- Digital Slow Shutter (2x~128x Field)
- RS-485(Pelco-D) Interface
- 12VDC/24VAC Dual Voltage

DIMENSIONS



SPECIFICATIONS

Model	HIS-BBB24F
Signal System	NTSC
Scanning System	2:1 Interlace
Scanning Frequency (H)	15.734 KHz
Scanning Frequency (V)	59.94 Hz
Image Sensor	1/3" High Sensitivity CCD
Total Pixels	811(H) x 508(V) 410K
Total / Effective Pixels	768(H) x 494(V) 380K
Horizontal Resolution	580 TV Lines (BW 650TV Lines)
Video Output Level	1.0V p-p (75Ω, Composite)
S/N Ratio	More than 52dB(AGC Off, BW Mode)
Lens Mount	CS Mount
Digital Zoom	6.13x
WDR (Wide Dynamic Range)	Up to 60dB (Low/Middle/High)
Day&Night Type	Electronic Sensitivity-up(DSS), ICR(AGC type)
Digital Slow Shutter	Off/2x~128x Field
Night Burst	On/Off
Min.Illumination	0.05 Lux / 0.0002 Lux (DSS On, B/W), F1.2, 30IRE
3D-DNR	Level (0~63)
OSD	ENG / KOR / RSN / CHN / SPN / FRN
White Balance	ATW / ANTI-ROL / PUSH / Manual
AGC, BLC	Off / Low / Middle / High
Brightness	0~100
Eclipse	On/Off (16 Zones)
Privacy Zone	On/Off (8 Programmable Zone)
Motion Detection	On/Off (4 Programmable Zone)
D-Effect	V-Flip / Mirror / Rotate
Stabilizer	On/Off
Communication	RS-485 (4800, 9600, 19200, 38400, 57600)
Electronic Shutter Speed	1/60~1/90,000 Sec.
Supplied Voltage	12VDC/24VAC Dual Voltage (+10%, -20%)
Power Consumption	Max. 2.1W / 170mA
Dimensions	70(W) x 64(H) x 129(D) mm
Weight (Net)	Approx. 324g