

HIS-S2965NXW



Wall Mount
& Sun-Shield

Features

- 1/4 Inch EXview CCD, 530TVL
- Auto Focus / Auto Iris
- **Max. 432x Zoom (36x Optical / 12x Digital)**
- **TDN(ICR), WDR, DSS, OSD**
- Endless 360° Panning
- 0° to 90° Tilting
- Panning/Tilting speed : Max. 360°/sec
- **Freeze in Preset**
- Auto Parking, Auto Flip, Privacy Masking
- Various Protocol Compatible
- Aluminum Alloy Housing
- IP66



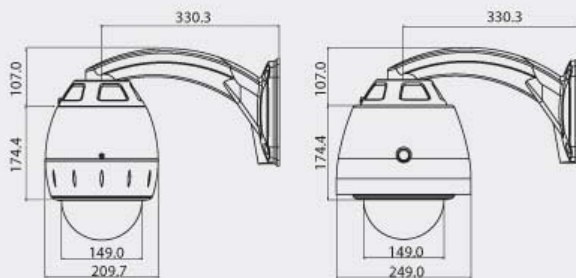
Pendant Mount



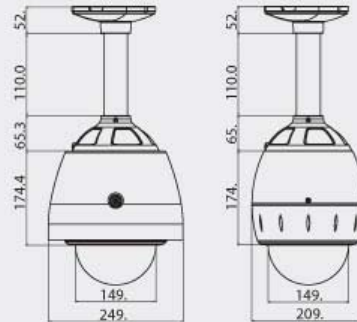
Pendant mount
& Sun-Shield

Dimensions

Wall Mount



Pendant Mount



Unit (mm)

Optional Accessories



HIS-SSS2000 : Sun shield for outdoor use



HIS-SCB2000 : Corner mount bracket



HIS-SOB2000 : Pole mount bracket

HIS-S2965NXW

Model	HIS-S2965NXW
Signal System	NTSC
Scanning System	2:1 Interlace
Scanning Freq. (H)	15.734 kHz
Scanning Freq. (V)	59.94Hz
Sync. System	Internal / Line-Lock
Image Sensor	1/4" EXview HAD Interline transfer CCD
Effective Pixel No. (V)	768(H) x 494(V) 380K
H.Resolution	530 TV Lines
Min.Illumination	1.0Lux (Color), 0.07Lux (Color, DSS), 0.01Lux (BW, DSS) 50 IRE
Day & Night Type	Electronic sensitivity-up (DSS), ICR (AGC type)
Video Output	1.0Vp-p (75Ω, composite)
Video S/N Ratio	More than 50dB (AGC Off)
Communication	RS-485, Controllable up to 255 cameras simultaneously
Camera ID / Protocol	256 IDs/Pelco-D, Pelco-P selectable, Samsung selectable
Lens	
Zoom Ratio	432x Zoom (36x Optical Zoom, 12x Digital Zoom)
Focal Length	3.4 (W)mm ~ 122.4 (T)mm
Apture Range	F1.6 (W) ~ F4.5 (T)
Pan and Tilt	
Panning/Tilting Range	Pan: 360° endless rotation; Tilt: 90°
Panning/Tilting Speed	Manual: 1° ~ 360°/sec; Preset: 360°/sec; Swing: 1° ~ 180°/sec
Panning/Tilting Accuracy	±0.25°
Preset	128 position with Labels
Swing / Pattern / Group	8 Swings/4 Patterns(about 5min/Pattern)/8 groups(max. 20)
Main Functions	
OSD Menu	ON/OFF (English)
Focus Control	Auto/Manual/Semi-Auto
Color / BW Switching	Supplied
Day/Night	Auto/Day/Night(ICR)
WDR	ON/OFF
Electronic Shutter	1/4~1/10,000sec
Iris / Gain Control	Auto/Manua(F1.6~F4.5); Auto/Manual(-3dB~28dB)
Brightness Control	Adjustable (0~31)
White Balance	Auto/Manual(Red, Blue Gain Adjustable)
BLC / Flickerless	ON/OFF
Negative / Freeze Mode	ON/OFF
Reverse / Mirror	ON/OFF (180° rotation); ON/OFF
Power-up Action	Resume the last action eecuted (Preset, Swing, Group)
Auto Parking / Flip	ON/OFF; ON/OFF(rotates dome 180° at bottom of tilt travel)
Privacy Zone	ON/OFF(8 zone settings)
Alam I/O	4 port coupler inputs, 2 relay outputs
Image Setup	Global / Local (setting WB & AE)
Electrical & General	
Power	24VAC / 2A, 14.4W
Dimensions (approx.)	Dome: 149(Φ); Housing: 249(Φ) x 355.4(H) mm
IP Ratio	IP66
Housing	SPB2000 : Pendant mount housing
	SWB2000 : Wall mount housing