

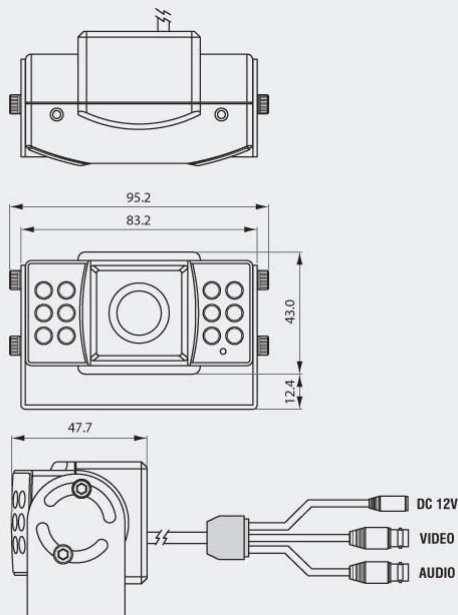
HIS-LML-20S



Features

- 1/3 inch IT CCD
- Ultra High Resolution : 600 TV Lines
- Built in Fixed Lens (f=2.5mm)
- Built-in IR LED(12ea)
- **Intelligent IR Technology**
- Min. Illumination : 0.00 Lux (IR LED On)
- Auto White Balance
- Audio & Mirror Function

DIMENSIONS



SPECIFICATIONS

Model	HIS-LML-20S
Signal System	NTSC
Scanning System	2:1 Interlace
Scanning Frequency (H)	15.734 kHz
Scanning Frequency (V)	59.94 kHz
Image Sensor	1/3 Inch IT CCD
Total Pixels	811(H) x 508(V) 410K
Total / Effective Pixels	768(H) x 494(V) 380K
Horizontal Resolution	600 TV Lines
Video Output	1.0V p-p (75Ω, Composite)
Audio Output	2V p-p
S/N Ratio	More than 50dB (AGC Off)
Lens	Built-in Fixed Lens (f=2.5mm)
Min.Illumination	Intelligent IR Technology. Day (0.05 Lux), Night (0.00 Lux, IR LED On)
IR LED and Sensor	IR LED (850nm, 30°) 12EA
IR LED Visible Range	Max. 10m
White Balance	Auto
AGC	Auto
Shutter Speed	1/60~1/120,000 Sec.
Supplied Voltage	DC10V~14V (Recommendation DC12V±0.5V)
Power Consumption	Max. 2W
Dimensions (WxHxD)	83.2 x 43.0 x 47.7 mm