

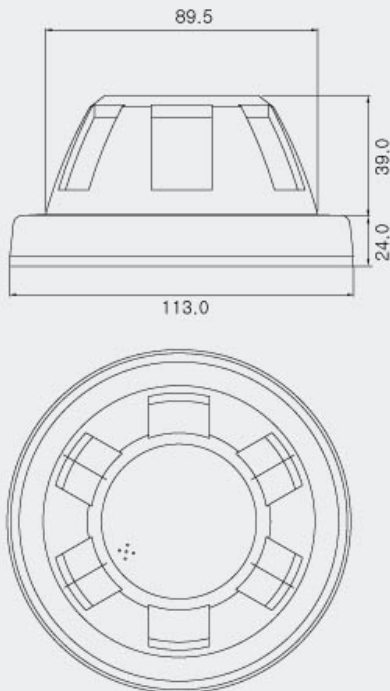
DSL-20S



Features

- 1/3 inch CCD
- High Resolution 600 TV Lines
- Built-in Fixed Lens (f=3.8mm)
- Auto White Balance
- AGC, BLC (On/Off)
- Min. Illumination : 0.05 Lux

DIMENSIONS



SPECIFICATIONS

Model	DSL20S
Signal System	NTSC
Scanning System	2:1 Interlace
Scanning Frequency (H)	15.734 KHz
Scanning Frequency (V)	59.94 Hz
Image Sensor	1/3 Inch IT CCD
Total Pixels No.	811(H) x 508(V) 410K
Effective Pixels	768(H) x 494(V) 380K
Horizontal Resolution	600 TV Lines (BW 650 TV Lines)
Video Output	Composite: 1.0V p-p, 75Ω
S/N Ratio	More than 50dB(AGC Off)
Lens	Fixed Lens (f=3.8mm)
Min.Illumination	0.05 Lux
White Balance	Auto
AGC/BLC	On/Off (DIP Switch)
Audio Output Level	1.0Vp-p (75Ω, Composite)
Shutter Speed	1/60~1/120,000 sec.
Power Voltage	12 VDCDC (10V~15V)
Power Consumption	Max. 1.8W / 150mA
Dimensions(ØxH)	89.5 x 63 mm
Weight	Approx. 157g